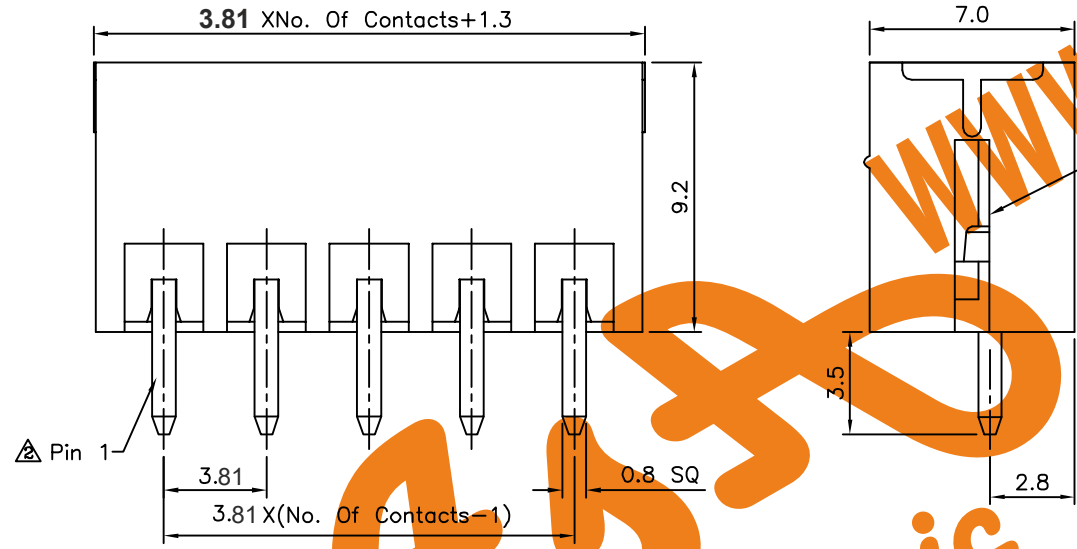


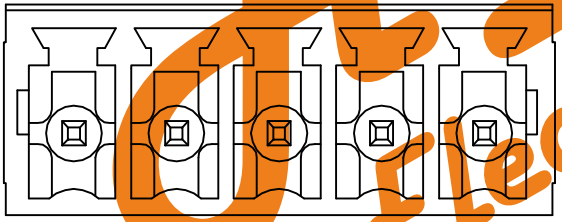
Recommended P.C.B. Layout

**△ SPECIFICATION**

Current Rating:12 Amp/Way Max.  
 Voltage Rating:300V AC  
 Withstanding Voltage:2500V AC For 1 Minute  
 Test Time=60 Sec/1 PCS  
 Operation Temperature:-40°C~+105°C  
 Soldering Reliability:Test Temperature=250°C±10°C  
 5 Seconds Max.  
 Insulator Body(Housing):Polyamide+G.F.(UL94V-0)  
 ,Green  
 Solder Pin:Copper Alloy,Tin Plated  
 RoHS Compliant



2P~6P Open Type  
 Above 7P (Including 7P)  
 Coles Type

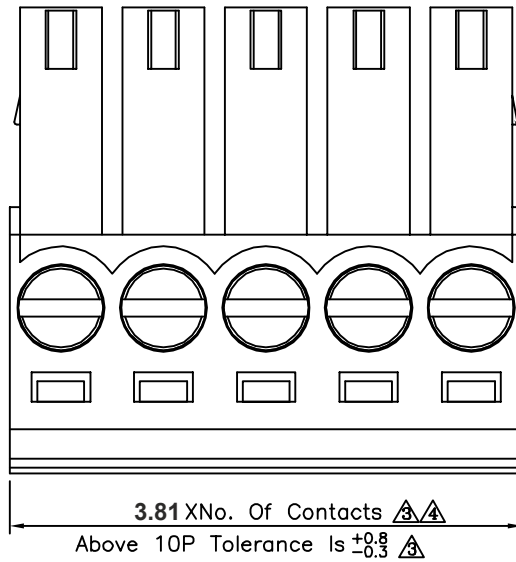


**AsA Electronic**  
 WWW.AsA-Elec.com  
 AsA Electronic Co.  
 Tel : (+98) 21 66 73 56 82 Mob : (+98) 912 03 161 02

APPROVED BY		EMILY
CHECKED BY		H.Z
DRAWING BY		GAO
SCALE	NONE	REV. A4

UNLESS OTHERWISE SPECIFIED TOLERANCES ARE  
 X. ±0.50  
 .X ±0.30  
 .XX ±0.20  
 ANG. ±1°

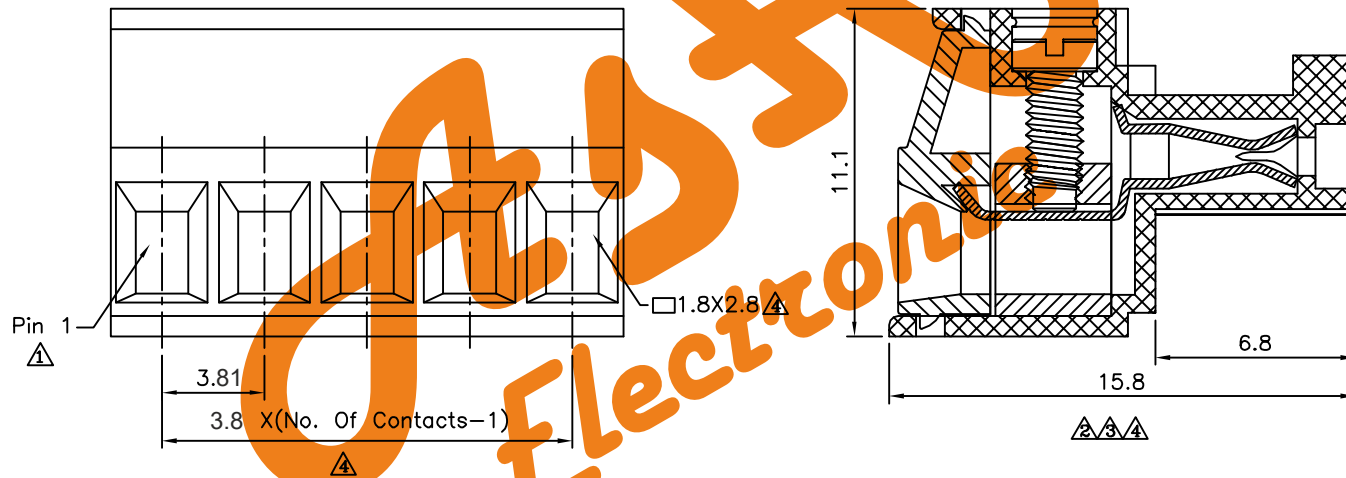
△ A4	Modify Data	HZF	05/28/2012
△ A3	Modify Data	HZF	11/23/2011
△ A2	Add Pin 1	HZF	11/22/2011
△ A1	Modify Data	HZF	10/14/2011
△ A0	NEW RELEASE	HZF	04/07/2009
NO. REV.	REVISIONS	CHK	DATE



**△ SPECIFICATION**

- Voltage Rating:300V AC
- Current Rating:12 Amps/Way Max.
- Contact Resistance:20 Milliohms Max.
- Withstanding Voltage:2500V AC(1 Minute) Test Time=60 Sec/1 PCS
- Wire Range:16~24 AWG
- Torque:2.5 Kgf.cm/M2
- Operation Temperature:-40°C~+105°C
- Soldering Reliability:  
Test Temperature=250°C±10°C/5 Seconds Max.
- △ Contact(Metal Housing):Copper Alloy,Nickel Plated
- Terminal Screw:Steel,Galvanized With Cr3+ Plated
- Wire Guard:Copper Alloy,Tin Plated
- △ Insulator Body(Housing):Polyamide(UL94V-0),Green RoHS Compliant

WWW.ASA-ELEC.COM



**ASA** Electronic  
 WWW.ASA-Elec.com  
 AsA Electronic Co.  
 Tel : (+98) 21 66 73 56 82 Mob : (+98) 912 03 161 02

I telegram:09396994470		APPROVED BY		UNLESS OTHERWISE SPECIFIED TOLERANCES ARE X. ±0.50 .X ±0.30 .XX ±0.20 ANG. ±1°
		EMILY		
		CHECKED BY H.Z		
DRAWING BY		CYP		UNIT mm
SCALE	NONE	REV.	A4	

$\Delta$ A4	Modify Data	HZF	10/24/2014
$\Delta$ A3	Modify Data	HZF	08/28/2012
$\Delta$ A2	Modify Data	HZF	05/17/2012
$\Delta$ A1	Modify Data	HZF	11/22/2011
$\Delta$ A0	NEW RELEASE	HZF	04/09/2009
NO.REV.	REVISIONS	CHK	DATE